

# Hydrox™

Vexve's Hydrox hydraulic actuator is suitable for even the most challenging installation sites and conditions. Specifically designed for district heating and district cooling applications and to operate seamlessly with Vexve's comprehensive range of ball and butterfly valves, the Hydrox hydraulic actuator is the perfect solution for underground installation providing easy and reliable operation with maximum safety at all times.

## Materials

Body:	Hydrox 2: EN S355 Hydrox 4 - 64: EN-GJS-400-15
Flange:	EN S355
Indicator shaft:	AISI 316L
Output shaft:	42CrMo4
Seals:	NBR
Recommended hydraulic fluid:	· Neste Hydraulii 46 SUPER · Neste Biohydraulii SE 46 or equal

## Properties

Torques:	From 2000 Nm up to 64 000 Nm
Recommended pressure range:	30-200 bar
Ambient temperature range:	-25 °C to +80 °C
Rotating angle:	91°
IP Protection class:	IP68
Corrosion resistance class:	C4

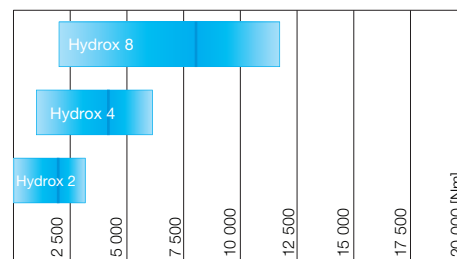
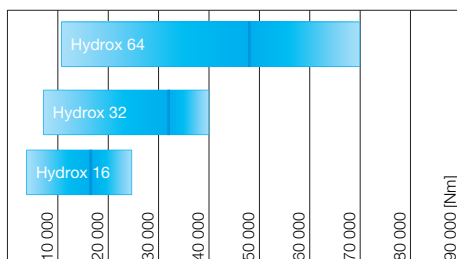
### Optional equipment:

- Position transmitter/indicator (low voltage)
- Connection block



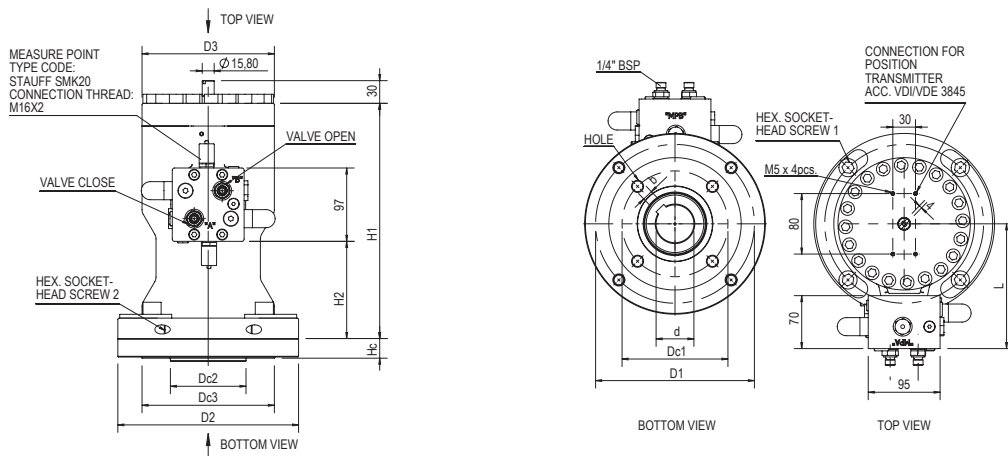
\*Hydraulic control block ensures containment of hydraulic pressure inside the actuator in case of damage to hydraulic lines and can be used to adjust hydraulic pressure input of individual actuators.

## Recommended torque range



Torque [Nm]

Actuator selection criteria:  
nominal torque as close as possible to valve torque



Model	D1	D2	D3	H1	H2	L	Oil displacement [l]	Hex socket-head screw 1	Hex socket-head screw 2	Dry weight [kg]
Hydrox 2	180	209	150	270	140	141	0.35	4 x M16	2 x M12	43
Hydrox 4	210	239	175	311	129	165	0.8	4 x M16	2 x M12	65
Hydrox 8	298	350	220	312	116	184	145	6 x M20	2 x M12	115
Hydrox 16	375	415	300	406	179	224	3.1	7 x M20	2 x M12	240
Hydrox 32	450	510	355	462	220	251	4.9	7 x M30	2 x M16	395
Hydrox 64	515	580	420	520	242	284	8.75	6 x M36	2 x M16	590

Model	Product no.	Compatible valves				d	b	ISO 5211	Hole	Dc1	Dc2	Dc3	Hc	Max stem height
		Butterfly valves	Ball valves Reduced Bore	Ball valves Full Bore										
Hydrox 2	80100210020		DN 125, DN 150	DN 100, DN 125	A20	-	F10	4 x M10	102	70	125	25	80	
	80100212035		DN 200	DN 150	35	10	F12	4 x M12	125	85	150	25	80	
	80100214035	DN 300, DN 350			35	10	F14	4 x M16	140	100	175	25	80	
	80100214040		DN 250	DN 200	40	12	F14	4 x M16	140	100	175	25	80	
Hydrox 4	80100414040	DN 400			40	12	F14	4 x M16	140	100	175	26	155	
	80100416050		DN 300, DN 350	DN 250, DN 300	50	14	F16	4 x M20	165	130	210	32	95	
Hydrox 8	80100816050	DN 450, DN 500			50	14	F16	4 x M20	165	130	210	32	145	
	80100825060	DN 600			60	18	F25	8 x M16	254	200	300	32	145	
	80100825070		DN 400	DN 350	70	20	F25	8 x M16	254	200	300	32	145	
	80100830090		DN 500, DN 600	DN 400, DN 500	90	25	F30	8 x M20	298	230	350	32	145	
Hydrox 16	80101625070	DN 700			70	20	F25	8 x M16	254	200	300	35	210	
	80101630090	DN 750, DN 800			90	25	F30	8 x M20	298	230	415	35	210	
	80101635100		DN 700	DN 600	100	28	F35	8 x M30	356	260	415	45	210	
Hydrox 32	80103235100	DN 900			100	28	F35	8 x M30	356	260	415	47	260	
	80103235120	DN 1000	DN 800	DN 700	120	32	F35	8 x M30	356	260	415	47	170	
Hydrox 64	80106435120	DN 1200			120	32	F35	8 x M30	356	260	415	55	285	
	80106440140	DN 1400		DN 800	140	36	F40	8 x M36	406	300	475	55	285	